

COOLEGE™

# COOLEGE LUMINOUS CEILING FABRICOLOR: SPECIFICATIONS

PROJECT		REFERENCE TYPE	
SPECIFIED BY		QUANTITY	
DATE		NOTE	Luminous Ceilings

## DESCRIPTION

Cooledge **FABRIColor** luminaires combine large-scale architectural forms incorporating fabric diffusers with W+RGB dynamic color and acoustic performance to deliver an immersive color experience.

Use **FABRIColor** to deliver high quality functional illumination that transforms into full canopies of immersive color or zones of vibrant hues for:

- Multi-purpose rooms in hotels and convention areas
- Retail shops
- Public plazas and transportation terminals
- Anywhere that can use a splash of color



## SIZES

Nominal Size (see "Dimensions" for actual sizes)
Rectangle: Xtra Small (RXS) = 4'x4' (1.2mx1.2m)
Rectangle: Small (RS) = 4'x6' (1.2mx1.8m)
Rectangle: Medium (RM) = 4'x8' (1.2mx2.4m)
Rectangle: Large (RL) = 6'x6' (1.8mx1.8m)
Rectangle: Xtra Large (RXL) = 6'x8' (1.8mx2.4m)
Circle: Small (CS) = 4' dia (1.2m dia)
Circle: Large (CL) = 6' dia (1.8m dia)
Curved Corner: Large (CCL) = 6'x9' (1.8mx2.7m)
Bullnose: Medium (BNM) = 4'x8' (1.2mx2.4m)

## GENERAL

Location	Indoor, dry location only
Operating Temperature	0 – 40°C (32 – 104°F)
Storage Temperature	-40 – 85°C (-40 – 185°F)
Relative Humidity	90% max (non-condensing)
Input Voltage	120-277 VAC
Diffuser Material	Woven Polyester Fabric (coated)
Frame Material	Aluminum
Fire Rating	ASTM E 84 Class A EN:13501-1 Class B s1d0
Noise Reduction Coefficient (NRC)	Suspended Mounting: 0.75 (ISO Class C)

## CERTIFICATION



**RoHS**

Cooledge Lighting Inc.  
110-13551 Commerce Parkway  
Richmond, BC V6V 2L1 Canada

O +1 604 273 2665  
F +1 604 273 2660  
T +1 844 455 4448  
W cooledgelighting.com

Cooledge Lighting reserves the right to change materials or modify the design of its product without notification as part of the company's continuing product improvement program.

## LIGHT OUTPUT

Size	Flux (lm)					
	White ONLY (3500K)	Full W+RGB	Full RGB (no added white)	Red ONLY	Green ONLY	Blue ONLY
Rectangle: Xtra Small	4000	8010	4900	1170	3200	680
Rectangle: Small	6950	13950	8550	2040	5570	1180
Rectangle: Medium	9150	18360	11250	2680	7320	1550
Rectangle: Large	11800	23670	14500	3470	9450	2000
Rectangle: Xtra Large	15500	31140	19100	4550	12410	2630
Circle: Small	3670	7380	4530	1080	2940	620
Circle: Large	10200	20480	12550	2990	8160	1730
Curved Corner: Large	18100	36360	22300	5310	14500	3070
Bullnose: Medium	8800	17690	10850	2590	7050	1490

## POWER

Size	Maximum Power (W)			
	Full W+RGB	White ONLY (3500K)	Full RGB (no added white)	Red / Green / Blue ONLY
Rectangle: Xtra Small	311	79	234	79
Rectangle: Small	519	133	391	133
Rectangle: Medium	667	170	501	170
Rectangle: Large	855	220	643	220
Rectangle: Xtra Large	1,097	281	825	281
Circle: Small	288	74	217	74
Circle: Large	763	196	574	196
Curved Corner: Large	1,358	346	1,021	346
Bullnose: Medium	675	172	507	172

## LIGHT QUALITY

### WHITE - 3500K

Correlated Color Temperature (CCT)	3500K
CRI (Ra) - White	94
R9	64
Color Uniformity - White (Typical)	3 SDCM
Lumen Maintenance (L70)	50,000 hr

### WHITE - W+RGB: OTHER CCTS\*

Nominal CCT	Calculated CCT	CRI	R9
2700K	2752K	80	51
3000K	3080K	90	79
3500K	3465K	95	95
4000K	3985K	95	97
5000K	5031K	93	96
5700K	5640K	91	88

\*Generated by mixing W+RGB

## CONTROL INPUT

Protocol	DMX
# Channels	8-bit = 4 channels 16-bit = 8 channels

## DIMENSIONS

### SUSPENDED

Size	Order Code	External Dimensions	Weight (lb/kg)	# Mounting Points
Rectangle: Xtra Small	FCS-RXS_	46.5" x 46.5" 1180mm x 1180mm	47.0 / 21.3	4
Rectangle: Small	FCS-RS_	46.5" x 74.8" 1180mm x 1900mm	66.3 / 30.1	4
Rectangle: Medium	FCS-RM_	46.5" x 93.7" 1180mm x 2380mm	71.3 / 32.4	4
Rectangle: Large	FCS-RL_	74.8" x 74.8" 1900mm x 1900mm	84.5 / 38.3	4
Rectangle: Xtra Large	FCS-RXL_	74.8" x 93.7" 1900mm x 2380mm	112.3 / 51.0	6
Circle: Small	FCS-CS_	46.3" diameter 1176mm diameter	44.0 / 20.0	4
Circle: Large	FCS-CL_	74.6" diameter 1896mm diameter	88.4 / 40.1	4
Curved Corner: Large	FCS-CCL_	74.6" x 110.1" 1896mm x 2796mm	140.4 / 63.7	6
Bullnose: Medium	FCS-BNM_	46.3" x 93.5" 1176mm x 2376mm	80.0 / 36.3	4

### SURFACE MOUNT

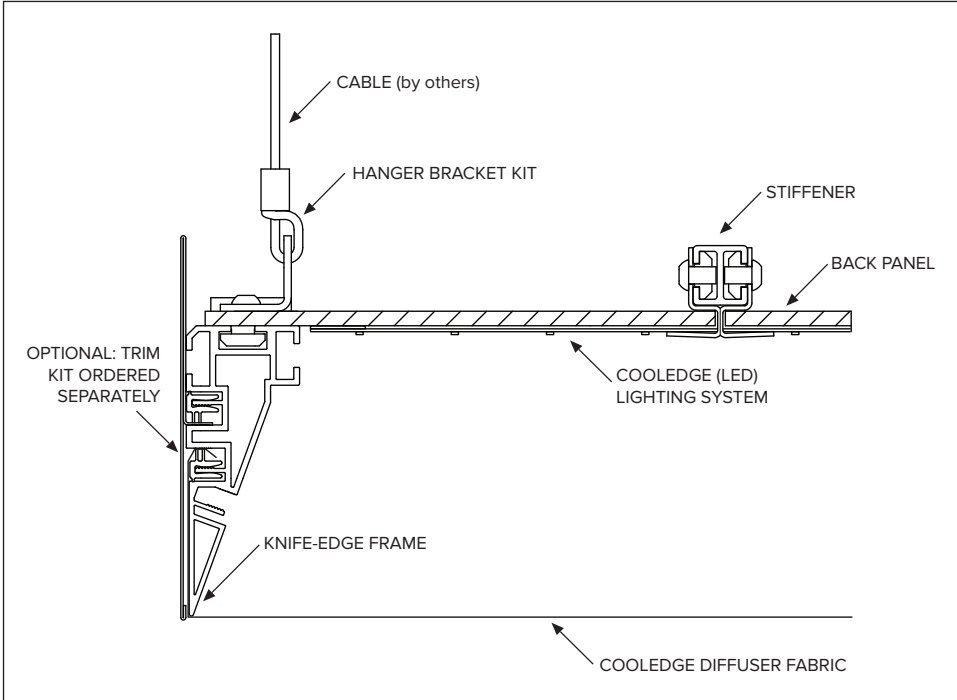
Size	Order Code	External Dimensions	Weight (lb/kg)	# Mounting Points
Rectangle: Xtra Small	FCM-RXS_	46.5" x 46.5" 1180mm x 1180mm	47.0 / 21.3	4
Rectangle: Small	FCM-RS_	46.5" x 74.8" 1180mm x 1900mm	66.3 / 30.1	4
Rectangle: Medium	FCM-RM_	46.5" x 93.7" 1180mm x 2380mm	71.3 / 32.4	4
Rectangle: Large	FCM-RL_	74.8" x 74.8" 1900mm x 1900mm	84.5 / 38.3	4
Rectangle: Xtra Large	FCM-RXL_	74.8" x 93.7" 1900mm x 2380mm	104.8 / 47.5	6

### GRID

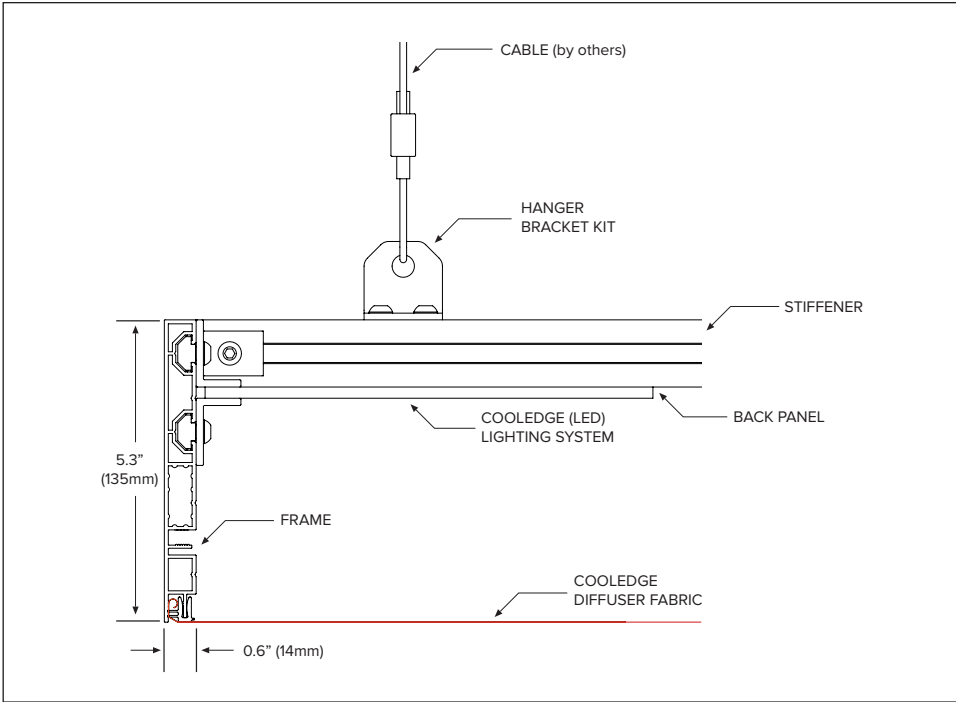
Size	Order Code	External Dimensions	Weight (lb/kg)	# Mounting Points
Rectangle: Xtra Small*	FCG-RXS_	46.9" x 46.9"	47.0 / 21.3	4

\*For imperial T-Bar ceilings only

MOUNTING DETAILS

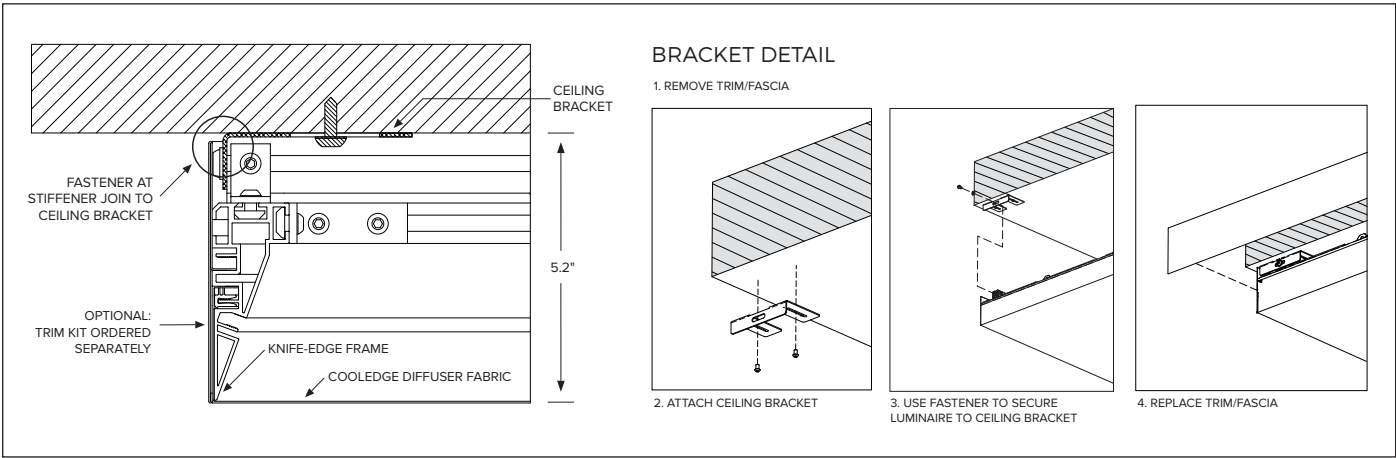


Suspended Mount Infinity Edge  
 (Rectangles)

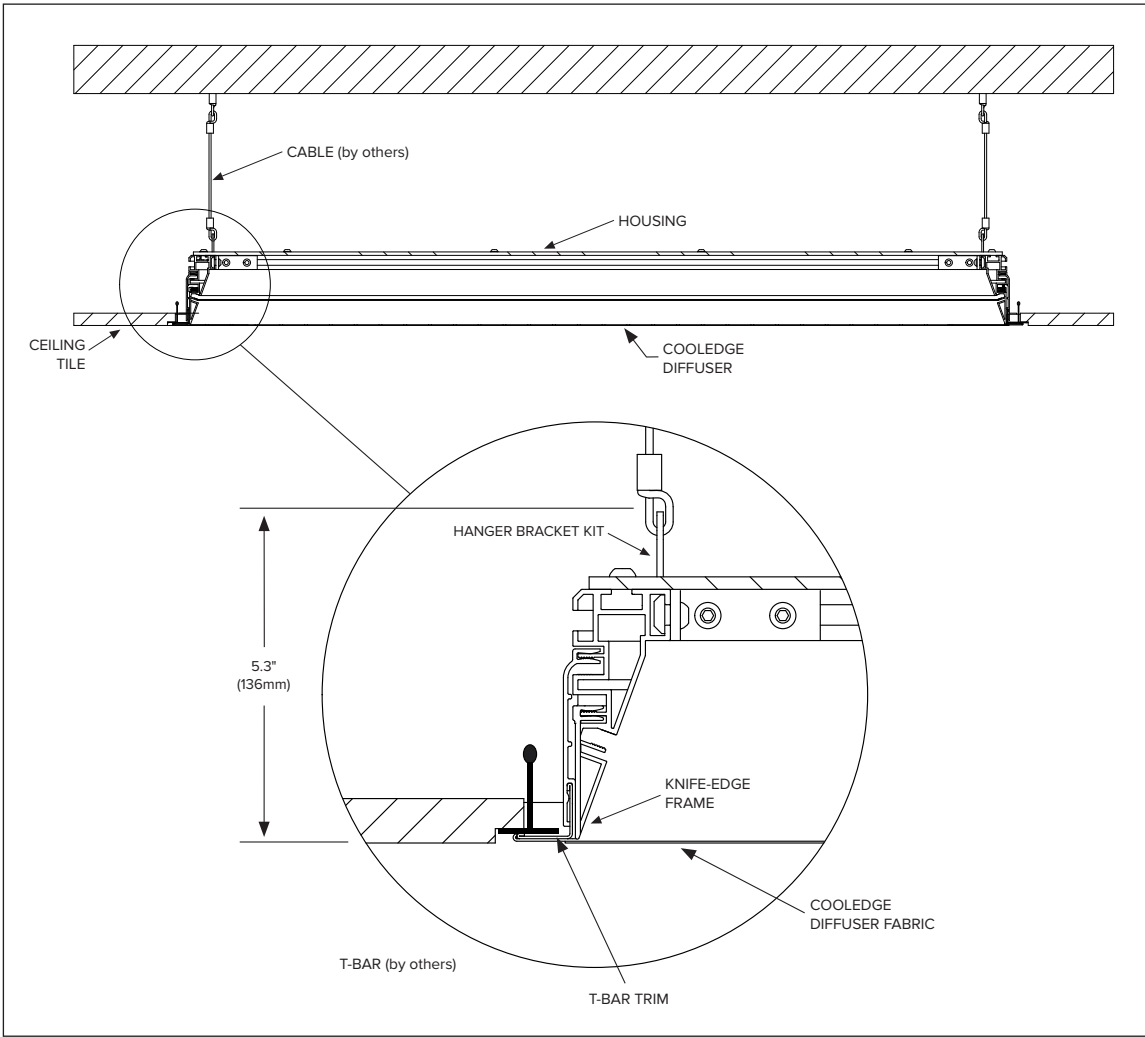


Suspended Mount Flat Edge  
 (Circles, Curved Corner, Bullnose)

MOUNTING DETAILS



Surface Mount Infinity Edge  
(Only Available as Rectangles)



Grid (T-Bar)  
(Only Available as Xtra Small Rectangle)

## NOISE REDUCTION

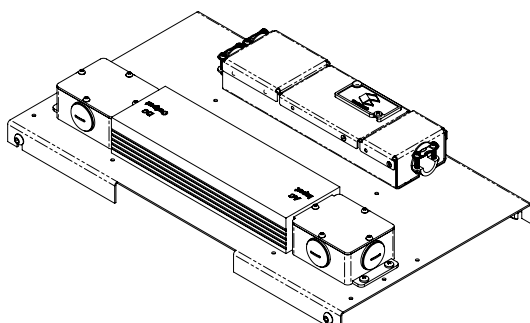
Suspended versions of Cooledge FABRIColor luminaires, available in all four shapes, are unique in combining high quality, immersive illumination and dynamic color with sound absorption characteristics. In open concept areas FABRIColor can reduce or eliminate the need for additional sound absorbing materials such as baffles or clouds – especially useful where stone or tile floors are used.

NRC Value	Sound Absorption Class	Order Code Reference
0.75	Class C	"C"

## POWER AND CONTROL MOUNTING

Power Supply with  
Cooledge Control Module

Actual power & control  
configuration is determined  
by the luminaire model.



**Power & Control Mounting Plate  
(shipped in a separate package)**

**Mounting Plate Dimensions:** 16.5" x 9.4" / 420mm x 239mm

FABRIColor offers two choices for locating the power and control components:

- **Integrated:** the mounting plate containing the power supply and control module may be secured to the top of the luminaire. AC electrical connections are made directly to the power supplies at the luminaire.
- **Remote Mounted:** the mounting plate can be located remotely in a location that may be more suitable for AC electrical connection or for maintenance access. (see [www.cooledgelighting.com](http://www.cooledgelighting.com) or contact Cooledge for remote distance wiring requirements)

## HOW TO ORDER

### SUSPENDED

**FCS** - \_\_\_\_\_ - **DMX** - \_\_\_\_\_ - \_\_\_\_\_  
1            2            3            4            5

**1 PRODUCT**

FCS = FABRIColor  
– Suspended

**2 SIZE/SHAPE**

RXS = Rectangle Xtra Small  
RS = Rectangle Small  
RM = Rectangle Medium  
RL = Rectangle Large  
RXL = Rectangle Xtra Large  
CS = Circle Small  
CL = Circle Large  
CCL = Curved Corner Large  
BNM = Bullnose Medium

**3 CONTROL PROTOCOL**

DMX = DMX Input

**4 FINISH COLOR**

Blank = Rectangle (Trim  
ordered separately for  
Rectangles)  
W = White  
B = Black

**5 CERTIFICATION**

U = cUL  
C = CE

### SURFACE MOUNT

**FCM** - \_\_\_\_\_ - **DMX** - \_\_\_\_\_  
1            2            3            4

**1 PRODUCT**

FCM = FABRIColor  
– Mount

**2 SIZE/SHAPE**

RXS = Rectangle Xtra Small  
RS = Rectangle Small  
RM = Rectangle Medium  
RL = Rectangle Large  
RXL = Rectangle Xtra Large

**3 CONTROL PROTOCOL**

DMX = DMX Input

**4 CERTIFICATION**

U = cUL  
C = CE

NOTE: Trim ordered separately

### GRID (T-BAR)

**FCG-RXS-DMX-W-U**

FABRIColor Grid is only available in Xtra Small for Imperial T-Bar ceilings.

**TRIM KITS – RECTANGLES ONLY (OPTIONAL)**

Rectangle models of Coolege FABRIColor luminaires are available with 3 finishing options:

1. Metal Trim/Fascia: for applications where the texture of the finish will be highly visible
2. Plastic Trim/Fascia: budget friendly alternative for typical mounting height applications
3. No Trim/Fascia: fabric diffuser is visible on the sides for a true Infinity Edge

Size	FABRIColor Models	Material	Color	Order Code
Rectangle: Xtra Small	FCS-RXS-DMX	Metal	Black	FC-TRM-RXS-MTL-BLK-K
			White	FC-TRM-RXS-MTL-WHT-K
		Plastic	Black	FC-TRM-RXS-PLS-BLK-K
			White	FC-TRM-RXS-PLS-WHT-K
Rectangle: Small	FCS-RS-DMX	Metal	Black	FC-TRM-RS-MTL-BLK-K
			White	FC-TRM-RS-MTL-WHT-K
		Plastic	Black	FC-TRM-RS-PLS-BLK-K
			White	FC-TRM-RS-PLS-WHT-K
Rectangle: Medium	FCS-RM-DMX	Metal	Black	FC-TRM-RM-MTL-BLK-K
			White	FC-TRM-RM-MTL-WHT-K
		Plastic	Black	FC-TRM-RM-PLS-BLK-K
			White	FC-TRM-RM-PLS-WHT-K
Rectangle: Large	FCS-RL-DMX	Metal	Black	FC-TRM-RL-MTL-BLK-K
			White	FC-TRM-RL-MTL-WHT-K
		Plastic	Black	FC-TRM-RL-PLS-BLK-K
			White	FC-TRM-RL-PLS-WHT-K
Rectangle: Xtra Large	FCS-RXL-DMX	Metal	Black	FC-TRM-RXL-MTL-BLK-K
			White	FC-TRM-RXL-MTL-WHT-K
		Plastic	Black	FC-TRM-RXL-PLS-BLK-K
			White	FC-TRM-RXL-PLS-WHT-K